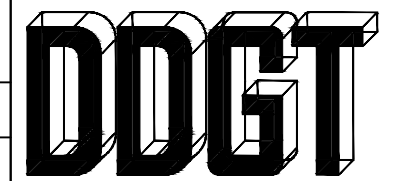


Parts List

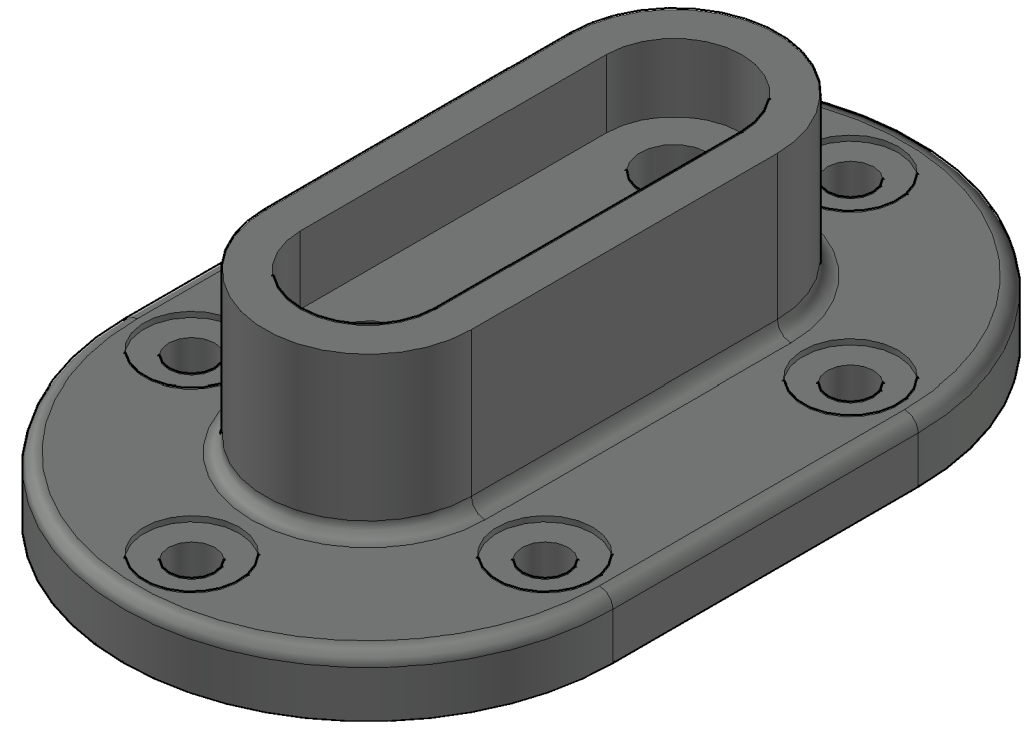
ITEM	QTY.	PART NAME	MATERIAL
1	1	SHAFT BASE	MALLEABLE IRON



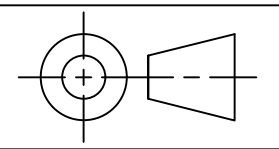
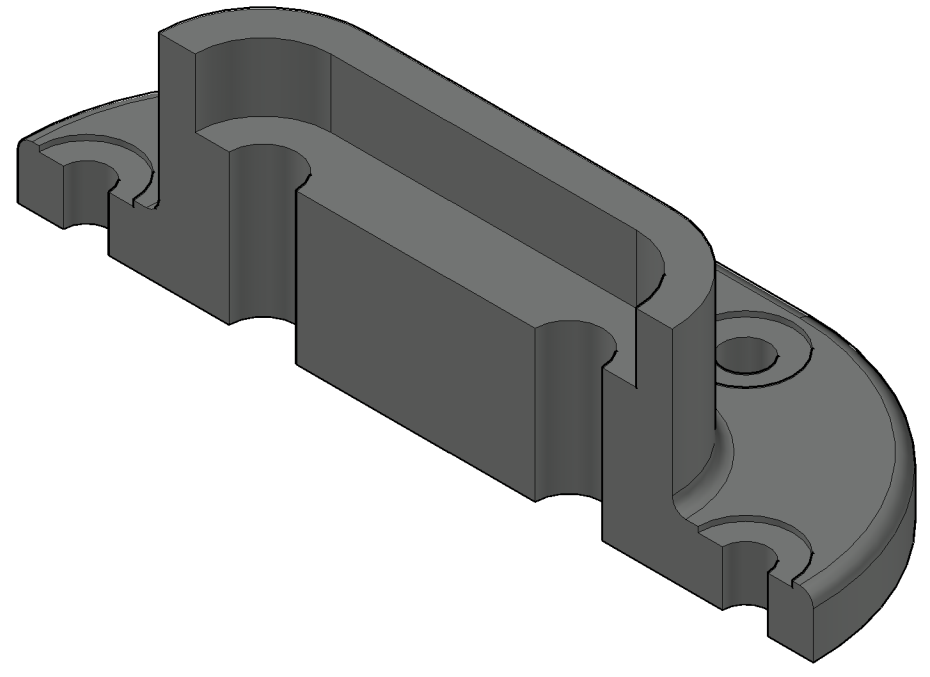
DIGITAL DESIGN
GRAPHICS
TECHNOLOGY

WWW.DDGT.NET

SHAFT BASE
SCALE 1:1



SHAFT BASE
SECTION VIEW
A
SCALE 1:1



TOLERANCES UNLESS SPECIFIED:
DECIMAL INCHES:
X = ±.020
XX = ±.010
XXX = ±.005
FRACTIONAL ±1/64"
ANGLES ±1 DEGREE
SURFACES 32/

CLASS: DDGT120

ASSIGNMENT #: 56

AUTOCAD DRAWING NAME:
3D SHAFT BASE

FIG #: 9-35

MANAGER: G. STROMEN

DRAFTER: N. CABADING

DATE: 5/14/2024

SCALE: AS NOTED

PAGE #: 1 OF 1

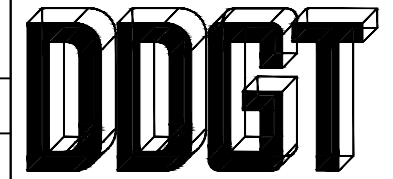
LEGEND

- ∅ DIAMETER
- R RADIUS
- ° DEGREES
- ⊞ SPOTFACE/COUNTERBORE
- ∨ COUNTERSINK
- ∇ DEPTH
- CUBED

GENERAL NOTES
ROUNDS AND FILLETS R.10

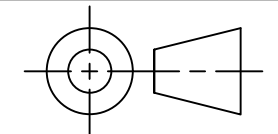
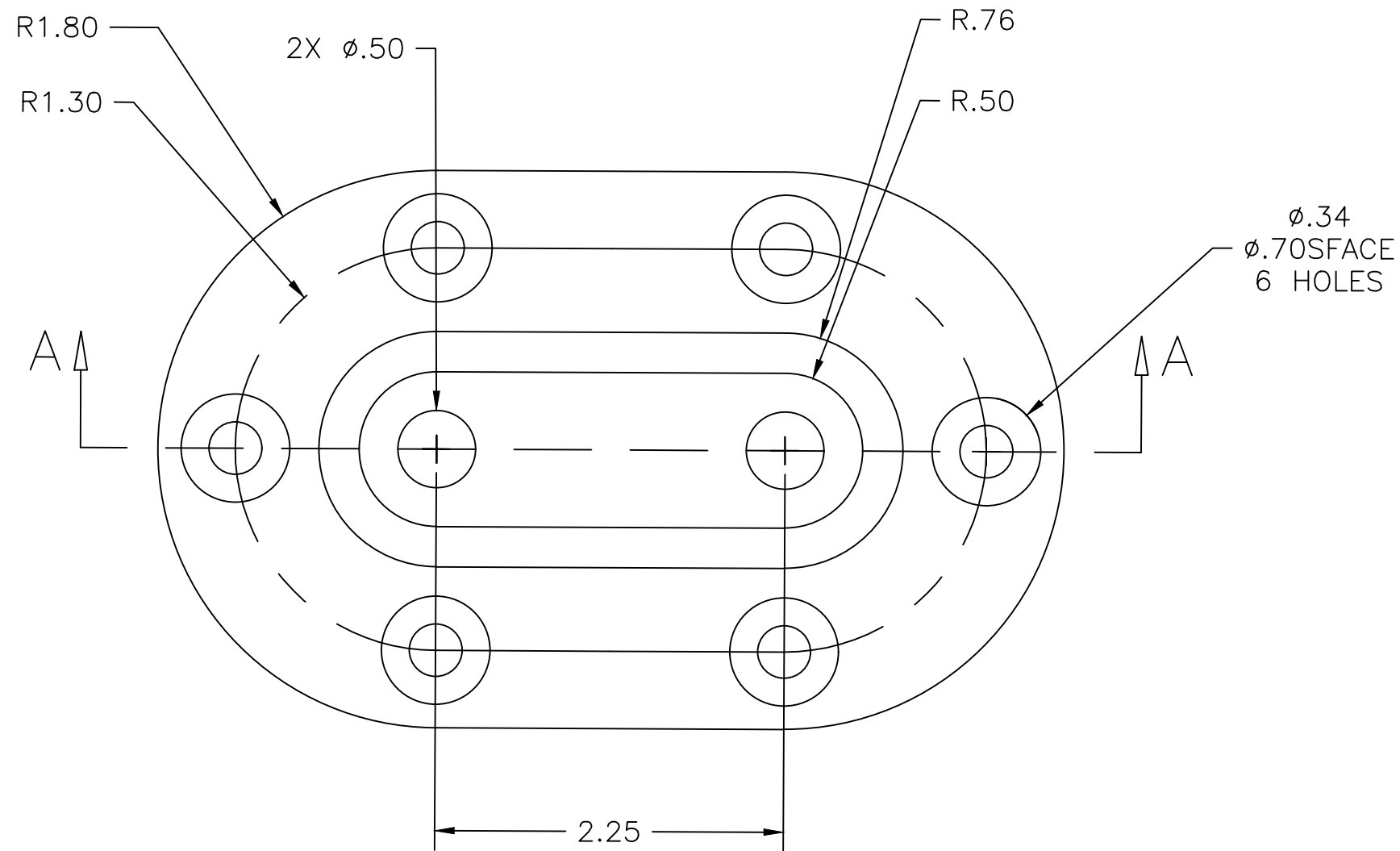
Parts List

ITEM	QTY.	PART NAME	MATERIAL
1	1	SHAFT BASE	MALLEABLE IRON



DIGITAL DESIGN
GRAPHICS
TECHNOLOGY

WWW.DDGT.NET



TOLERANCES UNLESS SPECIFIED:
DECIMAL INCHES:
X = \pm .020
XX = \pm .010
XXX = \pm .005
FRACTIONAL \pm 1/64"
ANGLES \pm 1 DEGREE
SURFACES 32/

CLASS: DDGT120

ASSIGNMENT #: 56

AUTOCAD DRAWING NAME:
3D SHAFT BASE

FIG #: 9-35

MANAGER: G. STROMEN

DRAFTER: N. CABADING

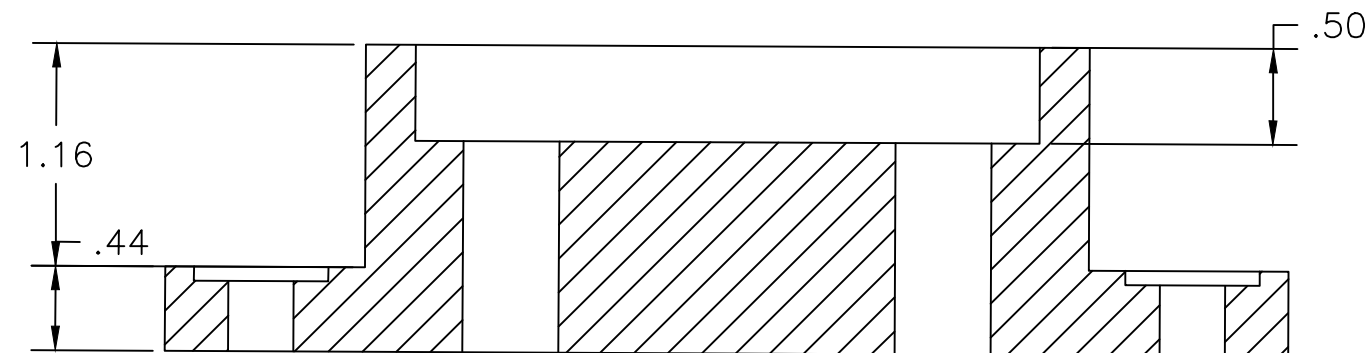
DATE: 5/14/2024

SCALE: AS NOTED

PAGE #: 1 OF 1

GENERAL NOTES

ROUNDS AND FILLETS R.10



LEGEND

- ϕ DIAMETER
- R RADIUS
- $^\circ$ DEGREES
- SPOTFACE/COUNTERBORE
- ∨ COUNTERSINK
- ∇ DEPTH
- CUBED